

Bid Specific Additional Terms & Conditions (ATC)

Additional Terms and Conditions for Supply, Installation and Commissioning of Power Generator - DG Set 25 KVA at RailTel PoPs of Tatanagar, Jharsuguda and Ranchi.

GEM Bid No: GEM/2026/B/7258139

Dt. 19.02.2026

TReDS feature available	Yes, on m1xchange portal (url: https://www.m1xchange.com)
-------------------------	---

1. The item/items in this bid should be quoted as per the technical specifications (Annexure-I). The details of the specifications along with consignee/site details are also available on website www.railtelindia.com.
2. The bidder should be either OEM or his authorized dealer/distributor.
3. In case of the authorized distributor/partner certificate from the OEM to this effect should be submitted. The firm shall submit MAF as per Form No.2.
4. If OEM is quoting then OEM should submit the certificate.
5. Bidders are required to submit duly filled and signed Technical compliance of the item offered in Annexure-I.
6. The bidder shall upload the compliance of the this ATC along with GEM Bid.
7. **Delivery Period, Consignee, Inspection :**
 - 7.1 **Delivery Period :** The bidder has to complete the supply and install /commission DG Sets within 60 days from the date of issue of confirmed PO. If material is not supplied within the approved delivery period then penalty of 0.5% of undelivered quantity per week or part thereof for the undelivered portion of SOR subject to the maximum to the 10% of the contract value will be levied.
 - 7.2 **Consignee :** Consignee details are available at Annexure-II.
 - 7.3 **Inspection:** Inspection shall be carried out by authorized representative of RailTel.
 - 7.3.1 Pre-dispatch factory acceptance inspection shall be carried out for the offered material by RailTel's representative. The supplier/OEM should have test arrangements in for the purpose of inspection.
 - 7.3.2 Finished products shall be tested 100% by the factory QC personnel before being offered to RailTel for acceptance to ensure that it meets all quality requirements as per the relevant specifications. Duly filled in test formats indicating the results of such tests shall be submitted along with material offered for inspection to RailTel.
- 8 **Estimated cost and Earnest Money Deposit (EMD)/ Bid Security:**

Estimated cost : The Estimated cost of the GeM Bid is Rs. 21,06,300.00 (Incl. GST)

8.1 Earnest Money Deposit (EMD):

Earnest Money Deposit (EMD)/ Bid Security : Rs. 43,000/- EMD can be submitted in the form of Demand Draft/Pay Order/Banker's Cheque drawn in favour of "RailTel Corporation of India Ltd." payable at Kolkata. The Bid received without EMD will be summarily rejected.

- 8.2 In addition to clause 8 (1) above, Tenderer has an option for online submission of EMD also. The EMD should be remitted in following bank account of RailTel Corporation of India Limited before the stipulated time and date of bid submission:

Name of the Bank and Address	Union Bank of India, Chowringhee Road Branch, 1/1 Camac Street, Ground Floor, Kolkata – 700016
Name of the account holder	RAILTEL CORPORATION OF INDIA LIMITED
Account No.	401601010519491
IFSC Code	UBIN0540161

Bidder to indicate bid no. and name of bidding entity in the transaction details field at the time of online transfer. Bidder has to upload scanned copy of Demand Draft/Pay Order/Banker's Cheque /proof of the online payment transfer along with bid. If EMD is submitted in the form of Demand Draft/Pay Order/Banker's Cheque, the original shall receive RailTel office at Salt Lake, Kolkata before the last date and time of submission of the bid.

- 8.3 Eligible Micro and Small enterprise (MSEs) bidders/ Startups are exempted from EMD amount.
- 8.4 For small scale units registered with NSIC under single point registration Scheme and participating in this tender enquiry, following exemptions are available: -

(i) They are exempted from depositing Earnest money.

These exemptions are applicable provided units are registered with NSIC for tendered item and registration is current and valid. Firms claiming these exemptions are required to submit along with their offer, copy of their current and valid NSIC registration certificate for the tendered item, otherwise their offer would not be considered.

- 8.5 Sellers/ Service provider having annual turnover of INR 500 Crore or more, at least in one of the past three completed financial years are exempted from submission of EMD as per GeM GTC with the bid.
- 8.6 Sellers who have got their credentials verified through the process of Vendor Assessment by Vendor Assessment Agencies for the Primary Product / Primary Service for which Bid / RA has been invited and holding valid Vendor Assessment or Vendor Assessment Exemption Report / confirmation (Seller to upload VA report / VAE confirmation to be validated by the Buyer) are exempted from submission of EMD as per GeM GTC with the bid.

- 8.7 **The bidder seeking EMD exemption, must submit the valid supporting document for the relevant category and Bid Securing Declaration as per Annexure-VIII.** Under MSE category, only manufacturers for goods and Service Providers for Services are eligible for exemption from EMD. Traders are excluded from the purview of this Policy.
- 8.8 No exemption is, however, applicable to these units from payment of security deposit/Performance Bank Guarantee.
- 8.9 **The Bid received without EMD/ documentary proof of exemption of EMD as per above clause will be summarily rejected.**
- 8.10 Earnest Money of the unsuccessful bidder will be discharged/ returned as promptly as possible.
- 8.11 The successful bidder's EMD will be discharged upon the bidder's acceptance of the LOA/ PO and submission of PBG.

9 Performance Bank Guarantee/ Security Deposit

- 9.1 The successful tenderer shall submit Performance Guarantee/Security Deposit in the form of bank guarantee issued from any of the scheduled commercial bank in India and not from any cooperative bank or NBFC, or online payment, safeguarding the purchaser's interest in all respects.
- 9.2 Security Deposit/Performance Bank Guarantee @ 10% of total value of contract including GST rounded off to the nearest higher Rs.1,000/- (one thousand) is required to be submitted within 30 days of issue of notification of award and it should valid for a period of 90 (ninety) days beyond the date of completion of contractual obligations of the supplier, including warranty obligations allowing a claim period of one year (time period between expiry date and claim date) on top of guarantee period.
- 9.3 The successful tenderer is required to furnish security deposit in the form of identified in para above and the same should be submitted within 30 days of issue of LOA/PO failing which a penal interest of 15% per annum shall be charged for the delay period i.e. beyond 30(thirty) days from the date of issue of LOA/PO.
- 9.4 The Security Deposit/Performance Bank Guarantee shall be submitted to **RailTel Corporation of India Ltd.** Eastern Regional Office at Salt Lake City, Kolkata.
- 9.5 A separate advice of the BG will invariably be sent by the BG issuing bank to the RailTel's Bank through SFMS and only after this the BG will become acceptable to RailTel. It is therefore in own interest of bidder to obtain RailTel's bank IFSC code, its branch and address and advise these particulars to the BG issuing bank and request them to send advice of BG through SFMS to the RailTel's Bank.

Detail for online SFMS confirmation using the platform is as below:
BG advising message – IFN 760COV/ IFN 767COV via SFMS
To mandatorily send the Cover message at the time of BG issuance.

IFSC Code of ICICI Bank to be used (ICIC0000007).

Mention the unique reference (RAILTEL6103) in field 7037

- 9.6 The Security Deposit/Performance Bank Guarantee shall be released after successful completion of contract obligations under the contract, duly adjusting any dues recoverable from the successful tenderer.

Note:

Any Performance security up to a value of Rs. 5 Lakhs is to be submitted online transfer only.

No interest shall be paid on the amount of Performance Security held by RailTel, at any stage

10 **Technical Eligibility Criteria of Bidder:**

The Bidder/OEM {themselves or through reseller(s)}, should have executed project for supply and installation /commissioning of same or similar Category Products during preceding 3 financial years (i.e. current year and three previous financial years) as on opening of bid, as per following criteria:

- (i) Single order of at least 35% of estimated bid value; or
- (ii) Two orders of at least 20% each of estimated bid value; or
- (iii) Three orders of at least 15% each of estimated bid value.

Satisfactory Performance Certificate issued by respective Buyer Organisation for the above Orders should be uploaded with bid. In case of bunch bids, the Category related to primary product having highest bid value should meet this criterion.

Similar Category of Product : "Supply & installation of Diesel Generator Set"

(Separate completed works of minimum required values for each component shall also be considered for fulfilment of technical eligibility criteria).

Note-1: In case a contract is started prior to 03 (three) years, ending on the date of opening of bid, but completed in last 03 (three) years, ending on the date of opening of bid, the completed work shall be considered for fulfilment of credentials.

Note-2: Separate completed works of minimum required values for each component shall also be considered for fulfillment of technical eligibility criteria. In such cases, what constitutes a component in a composite work shall be clearly pre- defined with estimated tender cost of it, as part of the tender documents without any ambiguity. To evaluate the technical eligibility of tenderer, only components of work as stipulated in tender documents for evaluation of technical eligibility, shall be considered. The scope of work covered in other remaining components shall be executed by tenderer himself.

Note-3: Work experience certificate from private individual shall not be considered. However, in addition to work experience certificates issued by any Govt. Organization, PSU or any reputed Telecommunications company (TELCO), work experience certificate issued by Public listed company having average annual turnover of Rs 500 crore and above in last 3 financial years excluding the current financial year, listed on National Stock Exchange (NSE) or Bombay Stock Exchange (BSE), incorporated/registered at least 5 years prior to the date of opening of tender, shall also be considered provided the work experience certificate has been issued by a person authorized by the Public listed company to issue such certificates.

In case tenderer submits work experience certificate issued by public listed company, the tenderer shall also submit along with work experience certificate, the relevant copy of work

order, bill of quantities, bill wise details of payment received duly certified by Chartered Accountant, TDS certificates for all payments received and copy of final/last bill paid by company in support of above work experience certificate).

11 **Financial Eligibility Criteria:**

The bidder should have minimum cumulative turnover from operation in the previous three financial years and the current financial year, at least 150% of the advertised value of the tender. The tenderers shall submit Certificates to this effect which may be an attested Certificate from the concerned department / client or Audited Balance Sheet duly certified by the Chartered Accountant/Certificate from Chartered Accountant duly supported by Audited Balance Sheet. The contact details of CA/Statutory Auditor along with UDIN No. shall be mandatorily mentioned on copy of certified Balance Sheet/Certificate.

For Startups recognized by Department of Industrial Policy and Promotion DIPP: The bidder should have minimum cumulative turnover from operation in the previous three financial years and the current financial year, at least 50% of the advertised value of the tender. The tenderers shall submit Certificates to this effect which may be attested.

(Note: Client certificate from other than Govt. Organization should be duly supported by Form 16A/26AS generated through TRACES of Income Tax Department of India).

The OEM should have proven facilities for Engineering, manufacture, assembly, integration and testing of material and facilities with respect to space, Engineering, Personnel, Test equipment, Manufacture, Training, Repair, Service Centre Supports for at least past three years. In case OEM is located outside India, it should have manufacturing, repair, service centre facilities in India also. The certificates/Undertaking for the same will have to be submitted.)

The bidder should not have been blacklisted by any agency /purchaser during the past 5 years.

12 **Warranty:**

The material is to be warranted for 24 months from date installation & commissioning. The tenderer shall warrant that materials to be supplied shall be new and free from all defects and faults in material, workmanship and manufacturing and shall be of the highest grade and consistent with the established and generally accepted standards of materials of the type ordered and shall perform in full conformity with the specifications and drawings.

The supplier shall be responsible for any defects that may develop under the conditions provided by the contract and under proper use, arising from faulty materials, design or workmanship such as corrosion, inadequate quantity of material to meet item requirements, inadequate contact protection, deficiencies in design and/ or otherwise and shall remedy such defects at his own cost when called upon to do so by the Purchaser who shall state in writing in what respect the stores are faulty.

13 **SLA:**

After having been notified of the defects / service requirement during warranty period, Seller has to complete the required Service / Rectification within time limit of max. 7 days. If the Seller fails to complete service / rectification within defined time limit, a penalty of 0.5% of Unit Price of the product shall be charged as penalty for each week of delay from the seller upto max. of 10% of Unit Price of the product. Seller can deposit the penalty with the Buyer directly else the Buyer shall have a right to recover all such penalty amount from the Performance Security (PBG) or from the running bills.

14 **Variation of Quantities at the Time of Award**

The purchaser reserves the right to increase or decrease the quantity to be ordered up to 25 percent at the time of placement of the contract. The purchaser also reserves the right to increase the ordered quantity by up to 25% of the contracted quantity during the currency of the contract at the contracted rates. Bidders are bound to accept the orders accordingly.

RailTel reserves the right to cancel the tender for full or part quantity tendered without assigning any reason.

15 **Payment Terms:**

80% payment on full supply of DG Set.

20% payment against Installation and commissioning of the DG Sets at RailTel PoPs

15.1 The following documents are to be submitted for payment:

Original Tax Invoice

Delivery Challan

E-way Bill

Original Consignee's receipt for receipt of goods in good condition

Original Inspection Certificate

Warranty certificate from OEM

Proof of PG/SD submission

Proof of insurance certificate, if material supplied through transporter

Payment will only be released once GSTR-1 and GST-3B is filled by the partner for claimed Invoice

Bill passing Authority :

Sr. Dy. General Manager/ Territory Manager, Ranchi

Bill paying Authority : Finance Head of Eastern Region

- 16 The tenderer shall submit a notarized affidavit on a non-judicial stamp paper stating that they are not liable to be disqualified and all their statement/documents submitted along with bid are true and factual. Standard format of the affidavit to be submitted by the bidder is enclosed as **Form No. 4. Non submission of an affidavit by the bidder shall result in summarily rejection of his/their bid.** And it shall be mandatorily incumbent upon the tenderer to identify state and submit the supporting **documents duly self-attested** by which they/he is qualifying the Qualifying Criteria mentioned in the Tender Document. It will not be obligatory on the part of Tender Committee to scrutinize beyond the submitted document of tenderer as far as his qualification for the tender is concerned.

The RailTel (RCIL) reserves the right to verify all statements, information and documents submitted by the bidder in his tender offer, and the bidder shall, when so required by the RailTel (RCIL), make available all such information, evidence and documents as may be necessary for such verification. Any such verification or lack of such verification by the RailTel (RCIL) shall not

relieve the bidder of its obligations or liabilities hereunder nor will it affect any rights of the RailTel thereunder.

In case of any wrong information submitted by tenderer, the contract shall be terminated. Performance Guarantee (PG) of contract forfeited and agency barred for doing business on RailTel (RCIL) for 3 years.

17 Marking of Material Supplied:

The tenderer may indicate the RailTel, Manufacture's Name, Month and Year of manufacturing, Serial numbers by casting/stamping/etching/embossing, at an appropriate place of each piece supplied, without affecting the functional utility and structural stability of the components/material.

18 Online Submissions:

The bidder is required to upload and submit the following documents on line before due date & time of bid. The due date & time for closing of the bid is as per GeM bid and the bid will be opened as per GeM Bid

- 18.1 Offer letter as per Form No.1
- 18.2 EMD submission details/ Documentary proof of exemption from submission of EMD along with Bid Security Declaration as per Form No.3.
- 18.3 BoQ of the offered materials
- 18.4 Clause wise compliance along with all mentioned documents/annexures for all clauses of GeM Bid and ATC (Information to bidder) documents.
- 18.5 Data Sheet of offered item/equipment.
- 18.6 Financial (Certified copies of audited balance sheets/annual reports of last three preceding financial years) and Technical Eligibility Criteria documents.
- 18.7 Technical Compliance of all Specification of items as per ATC documents.
- 18.8 Proof of document required against Eligibility criteria of OEM and bidder vide para 10 respectively.
- 18.9 MAF/OEM Authorization as per Form No.2
- 18.10 Notarized affidavit on a non-judicial stamp paper as per Form No.4.
- 18.11 Undertaking to Land Border (Form No.6)
- 18.12 Duly Notorised Power of Attorney in the name of the authorized signatory as per clause no.20 (Form No.7)
- 18.13 Self certification under preference to 'MAKE IN INDIA' policy as per Form No.8.
- 18.14 Make and Model details of the offered equipment.
- 18.15 The bidder should not have been blacklisted by Central Govt./State Govt./CPSU/any reputed Telecom entity in India for the supply of material / security reasons. An undertaking by the Bidder on Company's letter head to be submitted
- 18.16 Nil deviation (Form No.9)

Note:

- 1) The bidder is required to give acceptance of all the clauses mentioned in the "Information to the Bidders" document is mandatory. Any deviation / non-acceptance may lead to rejection of the bid.
- 2) Information to Bidder viz. corrigendum /addendum/ amendments etc. for this bid shall be posted on www.railtelindia.com only.
- 3) This bid is governed by the Specific Additional Terms & Conditions and General Terms & Conditions laid down by the GeM against GeM Bid No. GEM/2026/B/7258139 Dt. 18.02.2026

- 4) In case, if any contradiction between GeM Bid, Additional Terms & Conditions, RailTel's Bid Specific Additional Terms & Conditions will prevail.
- 5) After opening of the bid no correspondence/submission of document made at the initiative of the bidder will be entertained. However, the purchaser can, if required, ask for clarifications which need to be submitted before a target date. The clarifications submitted as required by the purchaser before the target date will be considered.

19 **Offline documents:**

The bidder is required to submit the following documents offline to RailTel Corporation of India Ltd., 19th Floor, Aurora Waterfront Building, Plot No. 34/1, Block GN, Sector-V, Salt Lake City, Bidhannagar, Kolkata-700091 within 07 days of opening of tender in a sealed envelope.

- a. Notarized Power of attorney in favor of the signatory duly authorizing the signatory.
- b. Affidavit as per Form No.4 on stamp paper of Rs.100/- regarding authenticity of the documents submitted/Information provided in the bid, Non submission of an affidavit by the bidder may result in rejection of his/their bid.

NOTE: The Bidder has to upload the Scanned copy of all above original documents as Bid-Annexures during Online Bid-Submission

20 **Constitution of Firm and Power of Attorney**

- 20.1 Any individual(s) signing the tender or other documents connected therewith should specify whether he is signing: -
 - 20.1.1 As sole proprietor of the concern or as attorney of the sole Proprietor.
 - 20.1.2 As partner or partners of the firm.
 - 20.1.3 As a Director, Manager or Secretary in the case of Limited Company duly authorized by a resolution passed by Board of Directors or in pursuance of the authority conferred by Memorandum of Association.
 - 20.2 In the case of a firm not registered under the Indian Partnership Act, all the partners or the attorney duly authorized by all of them should sign the tender and all connected documents. The original Power of Attorney or other documents empowering the individual or individuals to sign should be furnished to the Purchaser for verification, if required.
 - 20.3 RailTel will not be bound by Power of Attorney granted by the tenderer or by the changes in the composition of the firm made subsequent to the execution of the contract agreement.
 - 20.4 In case where Power of Attorney partnership deed has not been executed in English, the true and authenticated copies of the translation of the same by Advocate, authorized translators of Courts and licensed Petition Writers should be supplied by the contractor(s), while tendering of the work.
- 21 DENIAL CLAUSE - Supplier will not be entitled to any benefit of upward statutory variations in GST rates Announced after expiry of the original Delivery Period as per purchase order & in Case of reduction in GST rates if any, benefit will be passed on to RailTel at any stage of the contract.
- 22 Contact Details for general Information:

RailTel Contact-I : Shri Ravi Bhushan Prasad, Asstt.GM/Ranchi
(Mob. No. 9771444117)
Shri Devanshu Sharma, Asstt.GM/Rourkela
(Mobile No. 9717644147)
Shri Sanjay Kumar Mohanta, Sr. Manager/Tatanagar
(Mobile No. : 7766906546)

RailTel Contact-II :1. Shri Ashis Soni, Sr. DGM/TM/Ranchi (Mobile No. 9752597522)

23 Public Procurement (Preference to make in India) :

The provisions of the Public Procurement (Preference to Make in India) Order 2017 dated June 15, 2017 (or subsequent revisions, if any) by Department of Industrial Policy and Promotion, GoI shall apply to this tender to the extent feasible. Minimum Local Content for SOR items shall be 50% for purchase preference as per the Notification No. 18-10/2017-IP dated 29th August 2018 issued by Department of Telecommunications, Ministry of Communications or as per the latest notification. Bidder shall be required to give a self-certification in his bid that the item offered meets the local content and shall give details of the location(s) at which the local value addition is made. Bidder should submit Self Certification under preference to "MAKE IN INDIA" Policy as Annexure-VII.

In case of any false declaration, action shall be taken in line with the provisions of the PPP-MIII order.

In cases of procurement for a value excess of Rs. 10 crores, the 'Class-I local supplier/ Class-II local supplier' shall be required to provide a certificate from the statutory auditor or cost auditor of the company (in the case of companies) or from a practicing cost accountant or practicing chartered accountant (in respect of suppliers other than companies) giving the percentage of local content.

24 Purchase preference to Micro and Small Enterprises (MSEs):

Purchase preference will be given to MSEs as defined in Public Procurement Policy for Micro and Small Enterprises (MSEs) Order, 2012 dated 23.03.2012 issued by Ministry of Micro, Small and Medium Enterprises and its subsequent Orders/Notifications issued by concerned Ministry. If the bidder wants to avail the Purchase preference, the bidder must be the manufacturer of the offered product in case of bid for supply of goods. Traders are excluded from the purview of Public Procurement Policy for Micro and Small Enterprises.

25. Bidders sharing a land border with India:

Office Memorandum F.No.6/18/2019-PPD dated 23.07.2020 by Ministry of Finance, Department of Expenditure, Public Procurement Division shall also apply to this tender. A certificate as per Form No.6 shall be submitted by all the bidders regarding their compliance with this order. If such a certificate given by a bidder whose bid is accepted is found to be false, this would be a ground for immediate termination and further legal action in accordance with law. Registration should be valid at the time of submission of bids and at the time of acceptance of bids. In respect of supply otherwise than by tender, registration should be valid at the time of placement of order.

26 Trade Receivables Discounting System (TReDS):

TReDS feature is available on m1xchange portal, URL: <https://www.m1xchange.com>.

- i. RailTel is registered with m1xchange TReDS Platform having Buyer registration Number "BUYER00001496". The URL for m1xchange Platform is <https://www.m1xchange.com> MSE suppliers/vendors are required to register themselves on m1xchange Platform for availing the facility of bill discounting on TReDS portal. The bidder is mandatorily required to submit its

TReDS registration number (as provided by M1xchange portal) and GRN (Goods/Service Receipt Note) Number (as provided by RailTel on delivery of Goods/ Service) while submitting the invoices if requires to avail TReDS facility.

- ii. MSE Vendor will bear all costs relating to availing the facility of discounting on TReDS platform including but not limited to Registration charges, Transaction charges for financing, Discounting Charges, Interest on financing. or any other charges known by any name shall be borne by MSE Vendor.
- iii. MSE Vendor hereby agrees to indemnify, hold harmless and keep RailTel and its affiliates, Directors, officers, representatives, agents and employees indemnified, from any and all damages, losses, claims and liabilities (including legal costs) which may arise from Sellers submission, posting or display, participation, in any manner, on the TReDS Platform or from the use of Services or from the Buyer's breach of any of the terms and conditions of the Usage Terms or of this Agreement and any Applicable Law on a full indemnity basis.
- iv. RailTel shall not be liable for any special, indirect, punitive, incidental, or consequential damages or any damages whatsoever (including but not limited to damages for loss of profits or savings, business interruption, loss of information), whether in contract, tort, equity or otherwise or any other damages resulting from using TReDS platform for discounting their (MSE Vendor's) invoices.

Scope of Work:**25 KVA DG Set for Ranchi and Jharsuguda:**

The work includes **Supply and Commissioning** of DG Set. The 25 KVA DG Set for Ranchi and Jharsuguda, installation work is not required as the DG Sets are to be commissioned on the existing foundation of old 15KVA DG Set. Electrical earthing and Power cable available at the respective sites can be used for commissioning. The rate quoted shall include commissioning charges.

25 KVA DG Set for Tatanagar:

25 KVA DG Set for Tatanagar site include **Supply, Installation and Commissioning**. The quoted rate shall include cost of material required for installation for casting of foundation, Supply and laying of Power cable from DG Set to electrical termination point, Supply of material and execution of earthing.

Annexure - I**TECHNICAL SPECIFICATION FOR 25 KVA WATER-COOLED DIESEL GENERATOR (SILENT TYPE, as per CPCB IV+)****1.1 Purpose**

The purpose of this document is to provide specification for **25KVA three phase** Water-cooled diesel generator set (silent type) as an alternate power supply, proposed to be used for RailTel's DWDM/MPLS/STM-16/64 broadband unmanned telecommunication network installation.

1.2 STRUCTURE

The Diesel Generator set complete shall comprise of Diesel engine, Alternator and AMF Panel conforming to specifications for **25 KVA three phase** ratings as given below. Diesel engine and Alternator shall be close coupled or provided with flexible coupling and mounted on a base plate of robust construction. DG sets shall meet the requirements of environmental (protection) rules 1986 as laid down by Ministry of Environment & Forests read with GSR 371 (E) dated 17.02.02, GSR 520 (E) dated 01.07.03 and G.S.R. 215 (E), dated 15th March, 2011 under the Environment (Protection) Act, 1986) (as amended from time to time) in respect of emission norms for the Engine and in respect of noise level for the DG sets. All engines will generally confirm to IS 10000/BS649/BS5514 or latest.

1.2.1 The tenderer should submit a copy of type approval certificate from CPCB / MOE&F / Authorized Agency approved by CPCB or MOE&F for emission norms.**1.3 Specification for Alternator, Diesel Engine and AMF Control panel.****1.4.1 Alternator:**

(a) The Alternator shall be self excited and self regulated of specified KVA rating in three phase at 415 Volt, 50 Hz, 1500 RPM and 0.8 power factor and shall conform to IS:13364 (Part 1):1992(reaffirmed 2003) (up to 20 KVA) or IS: 13364(Part2)/1992(reaffirmed 2003) (above 20 KVA).

The alternators shall be of brush less type with VG-3 Grade or better grade of voltage regulation.

(b) The alternators shall be screen-protected drip proof with Minimum IP-23.

Degree of protection as per IS: 4691/85 (Reaffirmed 2004).The class of insulation of the Alternator would be 'H'. The rated voltage of Alternator will be 415 V for three phases.

1.4.2 Diesel Engine:

(i) Diesel Engine shall be water cooled as specified, electric start developing required B.H.P at 1500 RPM with ELECTRONIC GOVERNING or better for alternator to deliver specified continuous KVA output at 0.8 PF lag at NTP conditions (all rating shall be tested at 0.8 PF lag). The Diesel Engine should be capable of providing 10% overload for one hour for every 11 hours continuous running at full load.

(ii) The specific fuel consumption of engine shall be as per IS specification.

(iii) The Diesel Engine shall be complete with the following accessories:

(a) Fuel tank with air breather, drain plug with capacity for 8 hours of continuous running at full load

(b) Engine control Panel consisting of starting and stop switch Lube Oil temperature and pressure gauges, (water temperature gauge in case of water cooled engines), RPM indicator and hour meter.

(c) Safety controls to shut down the engine in the event of low lube oil pressure or high water temperature in case of water-cooled engines.

(d) Radiators.

(e) Exhaust silencer of Residential type.

(f) 12V or 24V starting system complete with starter motor, charging alternator and Cut-out.

(g) Sealed maintenance free battery of suitable ratings with connecting cables and the battery/ies shall conform to relevant IS/JIS Specification.

(h) Standard set of tools consisting of a set of 3 spanners, one screw driver, one standard plier and one nose plier of appropriate size shall be provided to the consignees along with DG sets, with no additional cost for each of DG sets.

The tenderer shall specify the fuel tank capacity, hourly consumption and minimum fuel level to be maintained.

1.5 AMF CONTROL PANEL (Micro Processor Based)

Automatic mains failure (AMF) control panel, where applicable, shall be able to start up the DG set and transfer the load on to the DG set on mains failure without requiring any human

intervention. Similarly on restoration of mains supply, it shall be able to transfer the load to mains supply and switch off the DG set automatically.

The AMF panel shall be an enclosure with the IP-53 degree of protection confirming to IS/IEC 60947(Pt-1)/2007, fabricated from minimum 1.5 mm thick steel sheet duly pre-treated and aesthetically finished.

(a) Microprocessor based relay with composite meter for digital display of

- i) Generator voltage and AC Mains voltage.
- ii) Current in each phase.
- iii) Power Factor.
- iv) Frequency meter
- v) Energy meter
- vi) Three attempts engine start/engine cranking relay.
- vii) On -delay timer for load change over
- viii) On-delay timer for engine shut off
- ix) Over current /load relay.
- x) HOUR METER
- xi) PRESSURE GUAGE
- xii) HWT
- xiii) BATTERY VOLTMETER

Control panel should be provided with the following Instruments:

- Voltmeter
- Ammeter to measure individual phase current.

(b) Mode selector switch for setting the panel on any one position such as off or auto or manual or test.

(c) Engine On-Off switch (Push button type)

(d) MCCB of suitable rating shall be provided.

(e) Rectangular aluminium bus bars (one number for each phase, neutral and Earthing Terminal) of adequate ratings duly colour coded with heat shrinkable PVC sleeves (depending upon kva).

(f) Two contactors of suitable rating (one for DG set & one for AC mains) with over load

Relay.

(g) Under-voltage relay for mains.

(h) Battery charger complete with voltage regulator, float or booster selector switch,

This will be in Addition to the battery charging alternator fitted on the engine.

(i) Instrument & Control Fuses.

(j) Five number indicating lamps to indicate 'mains ON', 'load on mains', 'set

Running', 'load on set' and 'battery charger on'.

(k) Audio visual alarm for 'Low lubricating oil pressure', 'High water temperature', 'Start failure', 'Fuel low level in Main Tank', 'Generator emergency alarm' and 'DG over load'.

(l) Any other switch, instrument, relay or contactor etc. essential for smooth and trouble free functioning of DG set with AMF panel. (To be specified by the tenderers in their offer with complete details of the item).

Supplier shall furnish complete & satisfactory TTC for engines, alternators complete with enclosure to be used by them for rating of DG sets clearly indicating make, and model and ratings of the DG sets should be submitted along with tender document and pre-despatch inspection.

1.5.1 AMF control should have the following Operational features: -

- Engine fault auto-shutdown and reset.
- Mains sensing for over voltage and under voltage.
- Generator set operating.
- Load on generator
- Load on Mains
- Static Battery charger
- Horn

1.5.2 AMF should also have following features: -

- It should be able to select the generators operating mode: Off- Automatic- Manual and Test modes.
- It should be able connect the generator's voltmeter across single phase & neutral.
- It should be able to connect the frequency meter to check the diesel generator frequency.

1.5.3 AMF should contain Pushbuttons for the following features: -

- Emergency shutdown --Red Button.
- MCB to protect Alternator and Mains supply.

1.5.4 Following equipment will be fitted inside the AMF cabinet:

- 10A rated current static battery charger for automatic static battery recharge.
- Device for Automatic Generator Start up when AC Mains supply falls below a preset level. The starter circuit allows no. of start, when motor is locked in the fail to start mode.

- Two electrically and mechanically combined relays for diverting the load from mains to generator and vice versa. During the generator starting sequence, the load is connected to the generator only after the generator voltage is stabilized at the rated setting.
- DG set should start after predefined period in case of AC main supply failure. If AC supply failure continues for more than four hours, then DG set shall be switched off automatically. If AC main failure continues for a further period of 2 hours, the DG set will restart again. DG Run period and rest period should be configurable.

1.6.0 Device for automatic shutdown of the generator if the following fault occurs & gives audible alarms.

- Lube Oil pressure low.
- High Water Temperature.
- Over speed.
- Fuel level below minimum specified level in main tank.

1.6.1. Each of the above emergency situations triggers a visual alarm and keeps the diesel generator out of service until the control circuit is re-established manually.

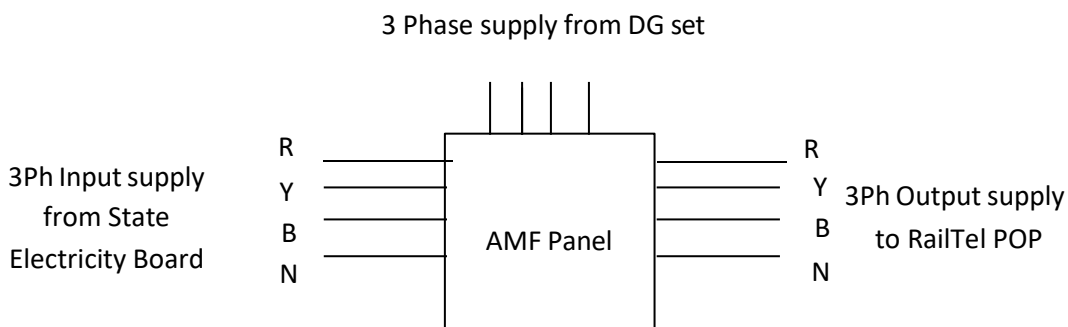
1.6.2 Current transformer connected to phase of the unit's line.

1.6.3 The panel should have potential free contact outputs for remote signalling for the following:

- Mains voltage out of limits.
- Failure to start
- Low lube oil pressure.
- Over speed.
- Fuel level low in main tank.

1.6.4 The panel should be fixed with input and output terminals. For identification – non-insulating stickers will be provided.

Note: For 25KVA three phase DG set, Wiring should be for 3Phase as shown below.



2. TECHNICAL SPECIFICATIONS FOR ACCOUSTIC ENCLOSURE

1.0 Introduction

1.1 The acoustic enclosure shall be of modular construction with provision to assemble and dismantle easily. The proposed enclosure offered should have the approval of the Diesel engine manufacturer. The complete enclosure along with DG set should have the statutory

approval of CPCB(as per CPCB-IV+ norms) / MOE&F. A copy of the same should be enclosed. It should have the following features: -

- 2.0 Exhaust System
- 2.1 The exhaust gas should be taken out through a suitable flexible pipe to prevent any back pressure on the engine.
- 2.2 The residential silencer should be mounted inside the canopy.
- 2.3 The exhaust system should include exhaust pipe suitably supported.
- 2.4 Thermal insulation :The exhaust system and noise suppressor should be provided with thermal insulation to prevent excess heat radiation on the engine and safe for operator.
- 3.0 Noise Suppressor (Silencer)
- 3.1 Absorption type Non Resistance Residential Silencer should be provided to suppress exhaust noise from the engine.
- 4.0 Surface Treatment – Painting/powder coating
- 4.1 The enclosure surface should be suitably treated for Degreasing, Derusting and phosphating. High quality powder coating process as prevalent in the Industrial Practice shall be ensured.
- 5.0 Vibration insulation
- 5.1 The engine and alternator shall be mounted on Anti-Vibration mounting pads to eliminate engine vibration.
- 6.0 Dimensions (LxBxH) should be suitable to house the AMF panel inside the enclosure.
- 7.0 All other requirements that are essential to make the DG set compliant to CPCB norms for noise reduction shall form part of the technical requirement. A copy of approval from CPCB for the acoustic enclosure should be enclosed.
- 8.0 CONSTRUCTION DETAILS
- 8.1 The structure should be fabricated using CRCA sheets 1.6 mm thick outer skins and steel members.
- 8.2 Base:**
- 8.2.1 The enclosure integral with base frame should be of direct mountable type on the foundation.
- 8.3 Doors:**
- 8.3.1 Doors should be fabricated from MS CRCA 1.6 mm thick. Air tight with neoprene rubber gasket and heavy-duty spring loaded locks.
- 8.4.1 Acoustic enclosure should be designed in such a way that no grouting is required on the ground, only level surface capable of withstanding the load may be provided.
- 8.5 Acoustic Insulation:**
- 8.5.1 Insulation material properly clamped/pasting should be provided on all doors, roof and sides to absorb noise.

- 8.5.2 Sound attenuators / down stream silencers (Side louvers) should be provided at all openings for air inlet / outlet to facilitate free airflow but to absorb sound resulting in extreme low noise level.
- 8.5.3 Detachable partitions, if required, are provided inside the enclosure to attain further noise attenuation of the engine..
- 8.5.4 The acoustic insulation should achieve reduction in noise levels as per latest CPCB norms. A copy of approval from CPCB for the acoustic enclosure should be enclosed.

8.6 Inspection window:

- 8.6.1 A suitable glass window sealed with rubber gasket should be provided for viewing the metering the parameter of AMF Control Panel.

8.7 Ventilation:

- 8.7.1 To provide a suitable forced air circulation and ventilation system to maintain safe operating temperatures inside the enclosure, requisite air circulation for engine aspiration combustion and cooling should be provided for, in the design of the enclosure.

9.0 BATTERY

12V/24V DC SMF battery assembly of suitable capacity complete with all necessary connecting leads and terminals of Exide, Amaron, make should be provided.

10.0 BASE FRAME

The base frame should be formed base plate providing common bed for engine and alternator directly coupled together. The base plate with cross member would form the part of sheet metal canopy. The Base frame should have provision of grouting on foundation bolts. Provision should also be made on the base frame for lifting arrangement of the complete DG Set with Canopy.

11.0 FUEL TANK

- 11.1 Fuel Tank should be fabricated out of 14SWG CRCA MS sheet and is part of base frame. It should be duly painted and fitted with inlet and outlet connections, air vent etc. complete with:

- Fuel Level Indicator (Electrical)
- Filler Cap with lock.
- Spill return
- Feed connection to engine valve
- Braided pipe for fuel connections

AVM Pads

Adequate nos. of KOEL/CORI make or similar make AVMs between engine / alternator and the base plate, should be provided.

Note: Any materials/modifications required for satisfactory commissioning of DG set to be borne by the tenderer.

3. INSTALLATION AND COMMISSIONING OF DG SETS:

The responsibility for installing and commissioning of DG sets shall be that of the firm.

The scope of installation and commissioning shall be as follows:

1. Foundation:

Foundation shall be of PCC type with the ratio of 4:2:1. The length and breadth of the foundation shall be 300 mm more from the respective length and breadth of the DG set. The height of the foundation shall be 600 mm i.e. 300 mm below and 300 mm above the ground level.

2. Cable:

Armoured PVC sheathed Aluminium cable and its necessary laying and termination shall be done by firm. The current rating of the cables shall be as per table below. Total length of the 4 core power cable shall be 60 metres/site (approximately) for DG sets with AMF control panel its depending upon the requirement

DG set rating	Phase	Sq mm	Core
25 KVA	3	16	4

3. Earthing:

Supplying and installation of earthing material for four pits as per specifications given in the GEM contract.

4. Installation of Fuel tank, battery charging, and battery connection.
 5. Unloading and placement of DG set on foundation.
 6. First fill of lube oil and all filters shall be provided by the firm.
 7. The consumables provided by the firm cover the trial run of DG set as well. The firm shall conduct trial run of the DG set with the available electrical load at site. The trial run shall be for ONE hour. The available electrical load shall be less than or equal to the rated capacity of the DG set.
 8. Exhaust piping, extra civil work, distribution board shall be provided by the tenderer.
 - a) Type approval certificate (TAC) for emission norms for EACH model/family of engine.
 - b) TAC from for noise level norms EACH model of DG set.
 - c) COP for EACH model of DG set and engine used in DG set.
4. **Warranty:** The materials are to be warranted for **24 months** from date of delivery.

OFFER LETTER

Form No-1

Principal Executive Director,
RailTel Corporation of India Limited,
Eastern Region 19th Floor, Aurora
Waterfront Building, Plot No. 34/1,
Block GN, Sector-V,
Salt Lake City, Kolkata – 700 091.

Ref: GeM Bid No.: GEM/2026/B7258139 Dated: 18.02.2026

1. It is hereby confirmed that we have understood the terms and conditions of the Tender, have thoroughly examined the specifications, are aware of the nature of the goods & services required and our offer is to supply goods & services strictly in accordance with the requirements, terms & conditions of this Tender. We agree to abide by the terms and conditions of the tender if the contract is awarded to us.

2. We hereby offer to supply the goods and services detailed above or such portions thereof as you specify in the purchase order at the price quoted and agree to hold this offer open for acceptance for a period of 60 days from the date of opening of the bid.

3. Demand Draft/ Pay Order No/Banker's Cheque No. _____ Dt. _____ for Rs. _____/Online payment vide transaction No. __dated__ for Rs. __in favor of RailTel Corporation of India Ltd, towards EMD has been paid through the details as mentioned in tender notice/ tender document. The full value of Earnest Money shall stand forfeited without prejudice to any other rights or remedies if, I/We withdraw or modify the offer within validity period or do not deposit the security deposit (Performance Bank Guarantee) within 30 days after issue of Purchase Order.

SIGNATURE OF SUPPLIER (S)

Date:

CONTRACTOR (S) ADDRESS

SIGNATURE OF
WITNESS:

1.

2.

Form No. 2

Format of Manufacturer Authorisation Form (MAF)

Principal Executive Director,
RailTel Corporation of India Ltd.
Eastern Region, 19th Floor,
Aurora Waterfront Building, Plot No. 34/1,
Block GN, Sector-V, Salt Lake City,
Kolkata – 700 091.

Subject: Manufacturer Authorisation Form (MAF) to M/s for

Ref: GeM Bid No. GEM/2026/B/7258139 Dt.18.02.2026

Dear Sir,

We, M/s....., are established and reputed manufacturer and service provider of(Product details) having our registered office at

We hereby authorize M/s.....(bidder name), Office to participate in the above referred bid and subsequently upon award of the bid to execute the “.....” our range of products against your above said bid.

We further extend our warranty for years for our range of products offered by M/s against the above said bid.

Thanking you,

Best regards,

Authorised Signatory

Form No.3

Note: Bidders exempted from submission of bid security are required to submit this form duly filled, signed & stamped.

Bid Securing Declaration

(on Company Letter-head)

Bidder's Name _____

[Address and Contact Details]

To
Principal Executive Director,
RailTel Corporation of India Ltd.,
(Complete Address).

Ref: Tender Document No. GEM/2026/B/7258139, Dt. 18.02.2026

Sir/ Madam,

We, the undersigned, solemnly declare that:

We understand that according to the conditions of this Tender Document, the bid must be supported by a Bid Securing Declaration in lieu of Bid Security.

We unconditionally accept the conditions of this Bid Securing Declaration. We understand that we shall stand automatically suspended from being eligible for bidding in any tender in RailTel Corporation of India Ltd. for 2 years from the date of opening of this bid if we breach our obligation(s) under the tender conditions if we:

- 1) withdraw/ amend/ impair/ derogate, in any respect, from our bid, within the bid validity;
or
- 2) being notified within the bid validity of the acceptance of our bid by the Procuring Entity:
 - a. refused to or failed to produce the original documents for scrutiny or the required Performance Security within the stipulated time under the conditions of the Tender Document.
 - b. Fail or refuse to sign the contract.

We know that this bid-Securing Declaration shall expire if the contract is not awarded to us, upon:

- 3) receipt by us of your notification
 - a. of cancellation of the entire tender process or rejection of all bids or
 - b. of the name of the successful bidder or
- 4) Ninety days after the expiration of the bid validity or any extension to it.

(Signed by the Authorised Representative of the Firm)

Name of the Authorised Representative:

Name of the Firm :

Date :

Form No.4**FORMAT FOR AFFIDAVIT TO BE UPLOADED BY TENDERER ALONGWITH
THE TENDER DOCUMENTS**

(To be executed in presence of Public notary on non-judicial stamp paper of the value of Rs.100/-. The stamp paper has to be in the name of the tenderer)**

I..... (Name and designation)** appointed as the attorney/authorized signatory of the tenderer (including its constituents), M/s. _____ hereinafter called the tenderer) for the purpose of the Tender documents for the work of _____ as per the tender No. _____ of RailTel Corporation of India Ltd., Eastern Region, do hereby solemnly affirm and state on the behalf of the tenderer including its constituents as under:

- (i) I/We the tenderer (s) am/are signing this document after carefully reading the contents.
- (ii) I/we the tenderer(s) also accept all the conditions of the tender and have signed all the pages in confirmation thereof.
- (iii) I/We hereby declare that I/We have downloaded the tender documents from RailTel's website www.railtelindia.com or GeM Portal <https://gem.gov.in>. I/We have verified the content of the document from the website and there is no addition, no deletion or no alteration to the content of the tender document. In case of any discrepancy noticed at any stage i.e. evaluation of tenderer's, execution of work or final payment of the contract, the master copy available with the RailTel Administration shall be final and binding upon me/us.
- (iv) I/We declare and certify that I/we have not made any misleading or false representation in the forms, statements and attachments in proof of the qualification requirements.
- (v) **I/We also understand that my/our offer will be evaluated based on the documents/ credentials submitted along with the offer and same shall be binding upon me/us.**
- (vi) **I/We declare that the information and documents submitted along with the tender by me/us are correct and I/we are fully responsible for the correctness of the information and documents submitted by us.**
- (vii) I/We undersigned that if the certificates regarding eligibility criteria submitted by us are found to be forged/false or incorrect at any time during process for evaluation of tenders, it shall lead to forfeiture of the tender EMD besides banning of business for five year on entire RailTel Corporation of India Limited. Further, I/we (*insert name of the tenderer*)
** _____ and all my/our constituents understand that my/our offer shall be summarily rejected.
- (viii) I/we also understand that if the certificates submitted by us are found to be false/forged or incorrect at any time after the award of the contract, it will lead to termination of the contract, along with forfeiture of EMD and Performance Guarantee besides any other action provided in the contract including banning of business for five year on entire RailTel Corporation of India Limited.

**DEPONENT SEAL AND
SIGNATURE OF THE TENDERER**

VERIFICATION

I/We above named tenderer do hereby solemnly affirm and verify that the contents of my/our above affidavit are true and correct. Nothing has been concealed and no part of it is false.

**DEPONENTSEAL AND
SIGNATUREOF THE TENDERER**

Place:

Dated:

** The contents in Italics are only for guidance purpose. Details as appropriate are to be filled insuitably by tenderer. Attestation before Magistrate/Notary Public.

Form No. 5

PROFORMA FOR PERFORMANCE BANK GUARANTEE BOND

(To be in accordance with Stamp act)

[To be used by approved scheduled commercial bank, (either Private or PSU) but not from any cooperative Bank or NBFC]

1. In consideration of the RailTel Corporation of India Limited 19th Floor, Aurora Water Front Building, GN. 34/1, Block GN, Sector-V, Salt Lake City, Bidhannagar, Kolkata-700091 (Herein after called RailTel) having agreed to exempt
..... (Hereinafter called "the said Contractor(s)") from the demand, under the terms and conditions of an Purchase Order/LOA No.....dated.....made between.....
.....and..... for (hereinafter called " the said Agreement") of security deposit for the due fulfillment by the said Contractor (s) of the terms and conditions contained in the said Agreement, on production of a Bank Guarantee for Rs.
.....(Rs only). We (indicate the name of the Bank) hereinafter referred to as "the Bank") at the request of Contractor(s) do hereby undertake to pay the RailTel an amount not exceeding Rs..... against any loss or damage caused to or suffered or would be caused to or suffered by the RailTel by reason of any breach by the said Contractor(s) of any of the terms or conditions contained in the said Agreement.
2. We , (name of the Bank) and our local branch at Kolkata (indicate detail address of local Kolkata branch with code no.) do hereby undertake to pay the amounts due and payable under this Guarantee without any demur, merely on demand from the RailTel stating that the amount is claimed is due by way of loss or damage caused to or would be caused to or suffered by the RailTel by reason of breach by the said Contractor(s) of any of terms or conditions contained in the said Agreement or by reason of the Contractor(s) failure to perform the said Agreement. Any such demand made on the Bank shall be conclusive as regards the amount due and payable by the Bank under this guarantee. However, our liability under this guarantee shall be restricted to an amount not exceeding Rs
3. We,..... bank undertake to pay to the RailTel any money so demanded notwithstanding any dispute or disputes raised by the Contractor(s) / Bidder(s) in any suit or proceedings pending before any court or Tribunal relating thereto our liability under this present being, absolute and unequivocal. The payment so made by us under this Bond shall be a valid discharge of our liability for payment there under and the Contractor(s) / Bidder(s) shall have no claim against us for making such payment.
4. We,..... Bank further agree that the Guarantee herein contained shall remain in full force and effect during the period that would be taken for the performance of the said Agreement and that it shall continue to be enforceable till all the dues of the RailTel under or by virtue of the said Agreement have been fully paid and its claims satisfied or discharged or till RailTel certifies that the terms and conditions of the said Agreement have been fully and properly carried out by the said Contractor(s) and

accordingly discharges this Guarantee. Unless a demand or claim under the Guarantee is made on us in writing on or before the _____ We shall be discharged from all liability under this Guarantee thereafter.

5. We,..... (indicate the name of Bank) further agree with the RailTel that the RailTel shall have the fullest liberty without our consent and without affecting in any manner our obligations hereunder to vary any of the terms and conditions of the Agreement or to extend time of to postpone for any time or from time to time any of the powers exercisable by the RailTel against the said contractor(s) and to forbear or enforce any of the terms and conditions relating to the said Agreement and we shall not be relieved from our liability by reason of any such variation, or extension to the said Contractor(s) or for any forbearance, act or omission on the part of RailTel or any indulgence by the RailTel to the said Contractor(s) or by any such matter or thing whatsoever which under the law relating to sureties would, but for this provision, have affect of so relieving us.
6. This Guarantee will not be discharged due to the change in the Constitution of the Bank or the Contractor(s) Supplier(s).
7. We, (indicate the name of Bank) lastly undertake not to revoke this Guarantee during its currency except with the previous consent of the RailTel in writing.
8. We, the.....Bank further agree that this guarantee shall be ivokable at our place of business at...../Kolkata (indicate detailed address of local Kolkata branch with Code No.). The branch at Kolkata being advised accordingly.
9. Notwithstanding anything contained herein,
 1. Our liability under the Bank guarantee shall not exceed Rs..... (In Rupees)
 2. This Bank Guarantee shall be valid up to.....and
 3. We are liable to pay the guaranteed and or any part thereof under this Bank Guaranteeonly and only if you serve upon is a written claims or demand or before (date of expiry of guarantee).

Dated the day of 2026

for
(indicate the name of the Bank)

Witness

1. Signature Name
2. Signature Name

Form No. 6

- I. Any bidder from a country which shares a land border with India will be eligible to bid in this tender only if the bidder is registered with the Competent Authority [The Competent Authority for the purpose of registration under this Order shall be the Registration Committee constituted by the Department for Promotion of Industry and Internal Trade (DPIIT)].
- II. "Bidder" (including the term 'tenderer', 'consultant' or 'service provider' in certain contexts) means any person or firm or company, including any member of a consortium or joint venture (that is an association of several persons, or firms or companies), every artificial juridical person not falling in any of the descriptions of bidders stated hereinbefore, including any agency branch or office controlled by such person, participating in a procurement process.
- III. "Bidder from a country which shares a land border with India" for the purpose of this Order means: -
 1. An entity incorporated, established or registered in such a country; or
 2. A subsidiary of an entity incorporated, established or registered in such a country; or
 3. An entity substantially controlled through entities incorporated, established or registered in such a country; or
 4. An entity whose beneficial owner is situated in such a country; or
 5. An Indian (or other) agent of such an entity; or
 6. A natural person who is a citizen of such a country; or
 7. A consortium or joint venture where any member of the consortium or joint venture falls under any of the above.
- IV. The beneficial owner for the purpose of (III) above will be as under:
 1. In case of a company or Limited Liability Partnership, the beneficial owner is the natural person(s), who, whether acting alone or together, or through one or more juridical person, has a controlling ownership interest or who exercises control through other means. Explanation -
 - a. "Controlling ownership interest" means ownership of or entitlement to more than twenty-five per cent. of shares or capital or profits of the company;
 - b. "Control" shall include the right to appoint majority of the directors or to control the management or policy decisions including by virtue of their shareholding or management rights or shareholders agreements or voting agreements;
 2. In case of a partnership firm, the beneficial owner is the natural person(s) who, whether acting alone or together, or through one or more juridical person, has ownership of entitlement to more than fifteen percent of capital or profits of the partnership;
 3. In case of an unincorporated association or body of individuals, the beneficial owner is the natural person(s), who, whether acting alone or together, or through one or more juridical person, has ownership of or entitlement to more than fifteen percent of the property or capital or profits of such association or body of individuals;

4. Where no natural person is identified under (1) or (2) or (3) above, the beneficial owner is the relevant natural person who holds the position of senior managing official;
5. In case of a trust, the identification of beneficial owner(s) shall include identification of the author of the trust, the trustee, the beneficiaries with fifteen percent or more interest in the trust and any other natural person exercising ultimate effective control over the trust through a chain of control or ownership.
6. An Agent is a person employed to do any act for another, or to represent another in dealings with third person.
7. The successful bidder shall not be allowed to sub-contract works to any contractor from a country which shares a land border with India unless such contractor is registered with the Competent Authority.

Certificate to be given by the Tenderer:

"I have read the clause regarding restrictions on procurement from a bidder of a country which shares a land border with India; I certify that I am not from such a country or, if from such a country, I have been registered with the Competent Authority. I hereby certify that I fulfill all requirements in this regard and I am eligible to be considered. [Where applicable, evidence of valid registration by the Competent Authority shall be attached.]"

Certificate to be given by Tenderer for Works involving possibility of sub-contracting:

"I have read the clause regarding restrictions on procurement from a bidder of a country which shares a land border with India and on sub-contracting to contractors from such countries; I certify that I am not from such a country or, if from such a country, I have been registered with the Competent Authority and will not sub-contract any work to a contractor from such countries unless such contractor is registered with the Competent Authority. I hereby certify that I fulfill all requirements in this regard and I am eligible to be considered. [Where applicable, evidence of valid registration by the Competent Authority shall be attached.]"

Form No.7

Format for Power of Attorney

POWER OF ATTORNEY

[To be executed on non-judicial stamp paper of the appropriate value in accordance with relevant Stamp Act. The stamp paper to be in the name of the company who is issuing the power of attorney.]

We, M/s. _____ (name of the firm or company with address of the registered office) hereby constitute, appoint and authorize Mr. or Ms. _____ (Name and residential address) who is presently employed with us and holding the position of _____, as our Attorney to do in our name and our behalf all or any of the acts, deeds or things necessary or incidental to our RFP for the Project _____ (name of the Project), including signing and submission of the RFP response, participating in the meetings, responding to queries, submission of information or documents and generally to represent us in all the dealings with Client or any other Government Agency or any person, in connection with the works until culmination of the process of bidding till the Project Agreement is entered into with _____ (Client) and thereafter till the expiry of the Project Agreement.

We hereby agree to ratify all acts, deeds and things lawfully done by our said Attorney pursuant to this power of attorney and that all acts, deeds and things done by our aforesaid Attorney shall and shall always be deemed to have been done by us.

(Add in the case of a Consortium)

Our firm is a Member or Lead bidder of the Consortium of _____, _____ and _____.

Dated this the _____ day of _____ 2026

(Signature and Name of authorized signatory)

Form No. 8

(to be printed on company's letterhead)

Self Certification under Preference to "MAKE IN INDIA" Policy

DECLARATION OF LOCAL CONTENT

No _____

Date: _____

To

Subject : Declaration regarding local content

Reference : (1) DPIIT(PPE), Ministry of Commerce, GoI, notification no. P-45021/102/2019-PP(BE- II) (E-29930) dated 26.11.2020 , 4 March 2021 (and any amendment thereof)

(2) Tender no. _____

(3) Our quotation no. _____ dated _____

Dear Sir,

With reference to the above notifications of DPIIT, we hereby declare the following -

1. We are the manufacturer / we have done value addition to the product quoted vide referred quote *(bidder to select only one option)*
2. We have authorized Mr./Ms _____ (name) _____ designation _____ of our company for giving declaration regarding local content w.r.t. the referred DPIIT notification(s) and any amendment thereon. Our company owns the responsibility for the signature of above official regarding local content being declared herewith. Now onward above mentioned signatory will correspond with your department regarding local content. We understand that the local content is not claimed by us on the basis of **profit, warehousing, marketing, logistics, freight, transportation, insurance, installation, commissioning, training, after sales services, AMC/CAMC etc. as local value addition.**
3. The local content in our referred item's quote is _____ % as per above notification of DPIIT.
4. We are Class (I or II) *(bidder to choose either one)* supplier as per DPIIT Notifications.
5. Local content value addition is at place _____
6. We understand that false declaration of local content %age w.r.t. above DPIIT order will be in breach of the code of integrity under rule 175(1)(i)(h) of the General Financial Rules (GFR)2017 for which the bidder or its successors can be debarred for upto two years as per Rule 151(iii) of GFR alongwith such other action as may be permissible under law.

Date:

Place:

Thanking you.

Yours faithfully

Name : _____

Signature _____

Company seal _____

Form No.9

PROFORMA FOR Nil Deviation Component Compliance

Undertaking Letter
(TO BE SIGNED BY BIDDER)

To,

Principal Executive Director,
RailTel Corporation of India Ltd.
Kolkata – 700 091.

Dear Sir,

Sub: NIL Deviation Compliance for GeM Bid No. GEM/2026/B/7258139 Dt. 18.02.2026

Over and above all our earlier conformations and submissions as per your requirements of the bid, we confirm that,

We will ensure our unconditional compliance of all the terms and conditions as mentioned in the Tender document. In case of any deviation, the same should be attached as an Annexure (as per Format given below) to this form. In case of any deviation, RailTel reserves the right to reject the bid without giving any justification. Format of Annexure

(Deviation Statement)

S. No.	Clause No. & Chapter No.	Existing Clause of Tender	Proposed Clause	Remarks, if any
1				
2				

All the proposed items to be supplied as per SOR for the technical specifications as mentioned in Annexure-I of Bid.

We hereby certify that the items/materials mentioned in our offer are complete. We confirm that there is no requirement of any other hardware and software to fulfill requirements as per scope against the bid. If any additional hardware and software is required to meet in scope requirements, then it would be provided by us at no extra cost to RailTel.

Place:

Date:

Seal and signature of the bidder

(This Form along with Annexure (if required) should be on the letterhead of the bidder duly signed by an authorized signatory)

Annexure-II**Consignee Details:**

Consignee Details : Supply, Installation/ Testing and Commissioning of DG Set.

Location	Consignee Address	Capacity of DG Set to be	Qty.	Scope of work
Tatanagar	RailTel Corporation of India Ltd., Tatanagar Railway Telephone Exchange, P.O. Tatanagar, Jamshedpur – 831 002. Jharkhand Contact person : Shri Sanjay Kumar Mohanta, Mob. No. 7766906546.	25 KVA	1 No.	Supply Installation & commissioning
Ranchi	RailTel Corporation of India Ltd. Ranchi Territory Office, Opp. Ranchi Railway Station, PO Chutia - 834 001. Jharkhand Contact person : Shri Ravi Bhushan Prasad, Mob. No. 9717457531.	25 KVA	1 No.	Supply & commissioning
Jharsuguda	Asstt. Manager/Tech RailTel Corporation of India Limited, Microwave Building, Wireless Playground, Railway Colony, Jharsuguda - 768201 Odisha Contact Person : Shri Saurav Kumar, Mob.: 9777444101	25 KVA	1 No.	Supply & commissioning

Check list

	Have you submitted the following documents?	Submitted/ Complied or not	Page No/ Ref. No. of offer
1	Proof of payment of EMD as per Clause-8 of ITB/ Document documentary proof of exemption of EMD along with Bid securing Declaration (Form-3).		
2	Notarized Power of Attorney & resolution of Board of Directors as per Clause-20 of ITB.		
3	Signed Copy of Tender Document(GeM Bid and ATC), Corrigenda		
4	Documents required as per eligibility criteria as per Clause-10 &11 of ITB.		
5	Performance statement including Copies of Purchase Orders & Inspection certificates		
6	Compliance of all Specification of GeM Bid and ATC documents.		
7	Deviation Statement, if any [Clause 18.16]		
8	The bidder should not have been blacklisted by Central Govt./State Govt./CPSU/any Telecom entity in India for the supply of material / security reasons. An undertaking by the Bidder on Company's letter head to be submitted [Clause 18.15]		
9	A certificate on their letterheads as per clause 25 of ITB (Form No.6) shall be submitted by the bidder		
10	Bidder should have authorization specific to this tender from respective OEM as per Form No.2 of ITB		
11	Certificate of Local Content as per Form No.8 of ITB.		
12	Notorised Affidavit as per clause no. 16 (Form No.4)		
13	Offline submission of Notorised Affidavit and Notarized Power of Attorney		